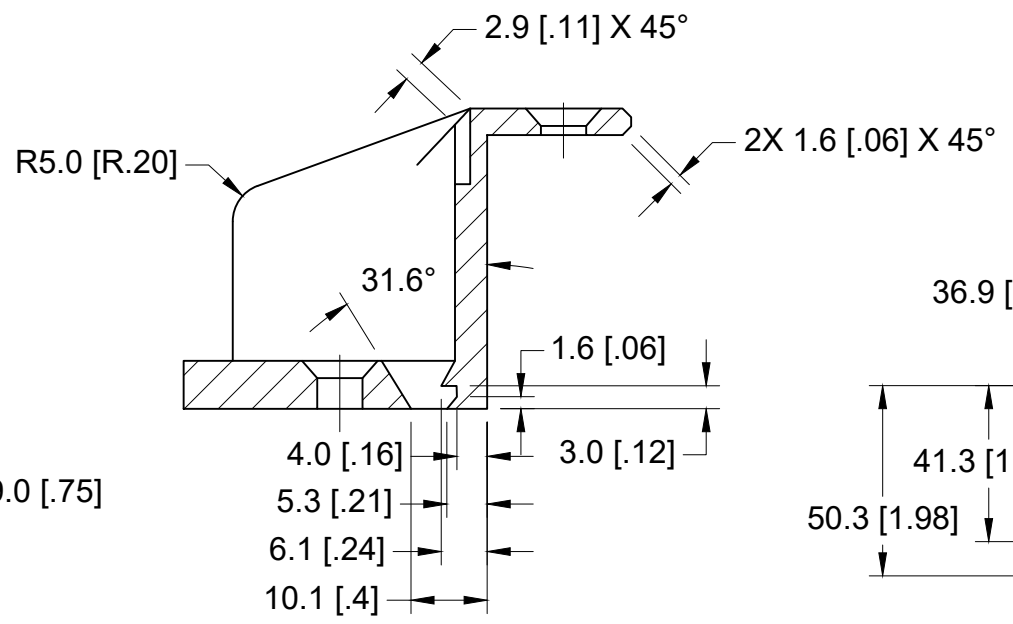
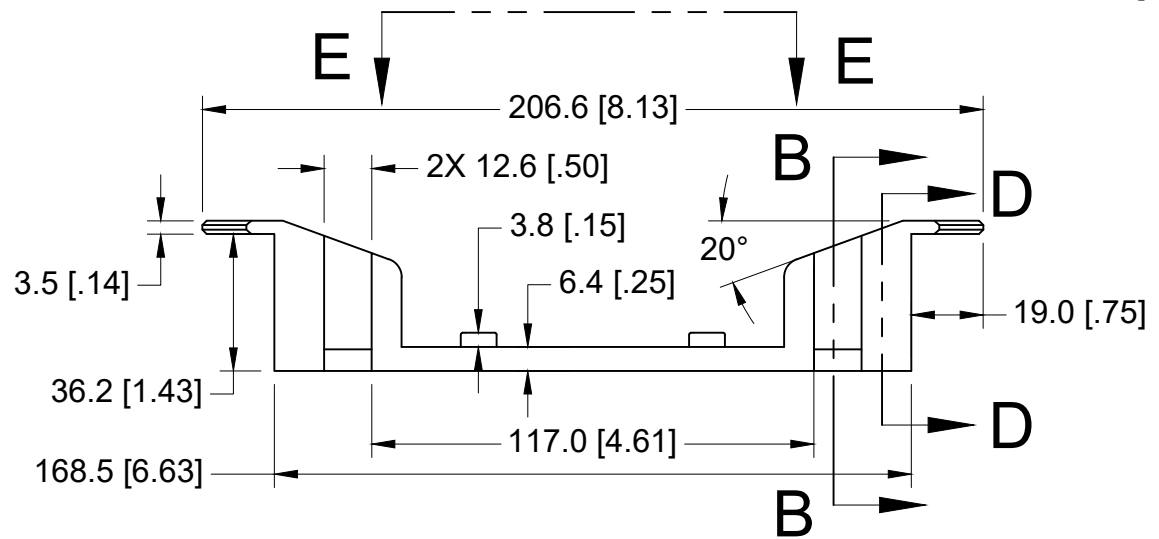
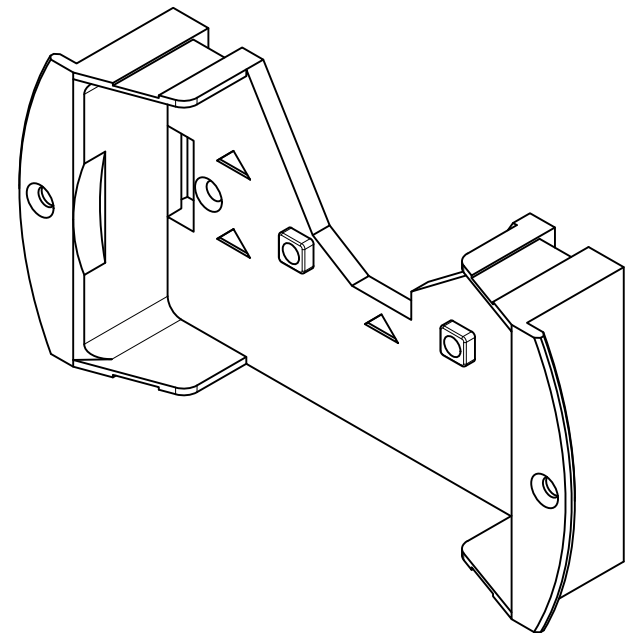
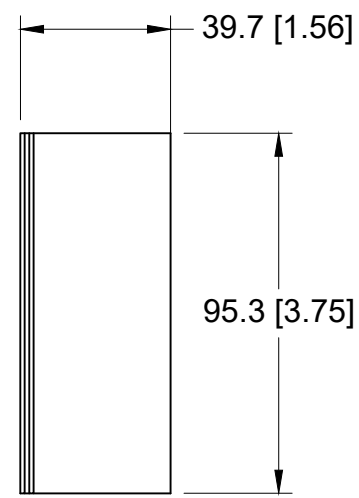
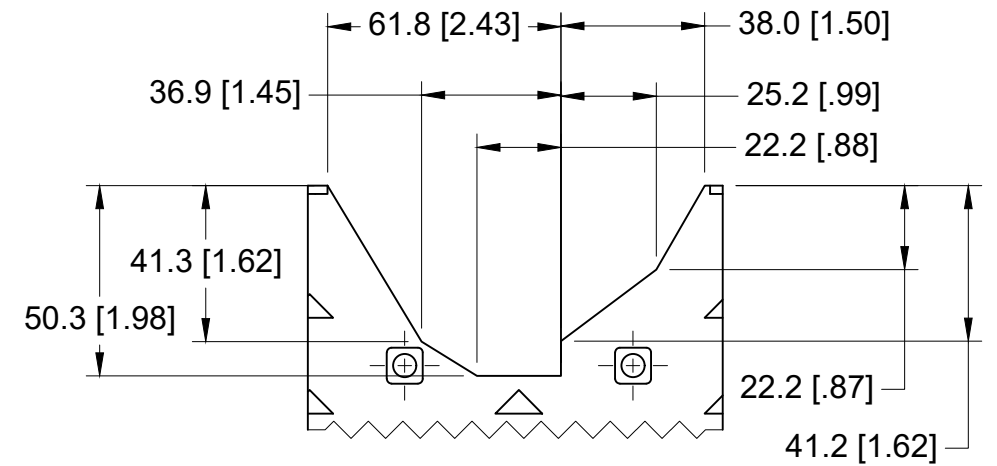


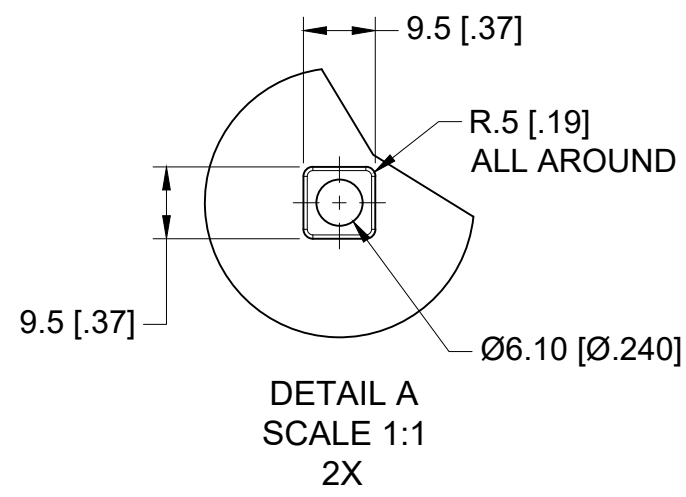
4X Ø6.00 [Ø.236] THRU  
 ✓ Ø10.00 [Ø.394] X 82°  
 (FITS #8 DRYWALL  
 SCREW, PH2 HEAD)



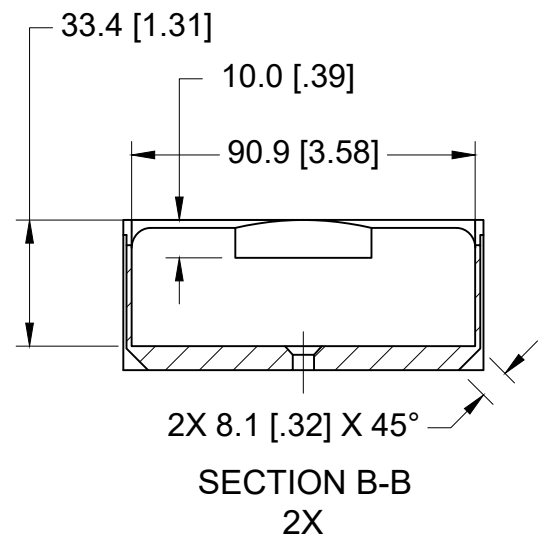
SECTION C-C  
 SCALE 1:1  
 2X



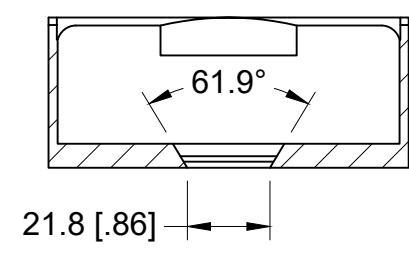
SECTION E-E



DETAIL A  
 SCALE 1:1  
 2X



SECTION B-B  
 2X

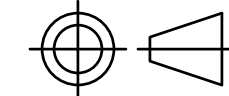


SECTION D-D  
 2X

# ABILITY ENTERPRISES

## TOLERANCES

UNLESS OTHERWISE SPECIFIED  
 DIMENSIONS ARE IN MILLIMETERS  
 TOLERANCES AS NOTED:  
 1 PLCS ± .2  
 2 PLCS ± .1  
 ANGLE ± .5°



**DUAL UNIT NOTATION**  
 X.XX - MILLIMETERS  
 [X.XX] - INCHES

DRAWN N. DUNNE  
 APPROVED H. DISHON

SIZE	DESCRIPTION	REV
B	MAIN BRACKET	-
SCALE 1:2 & NOTED		SHEET 1/1