

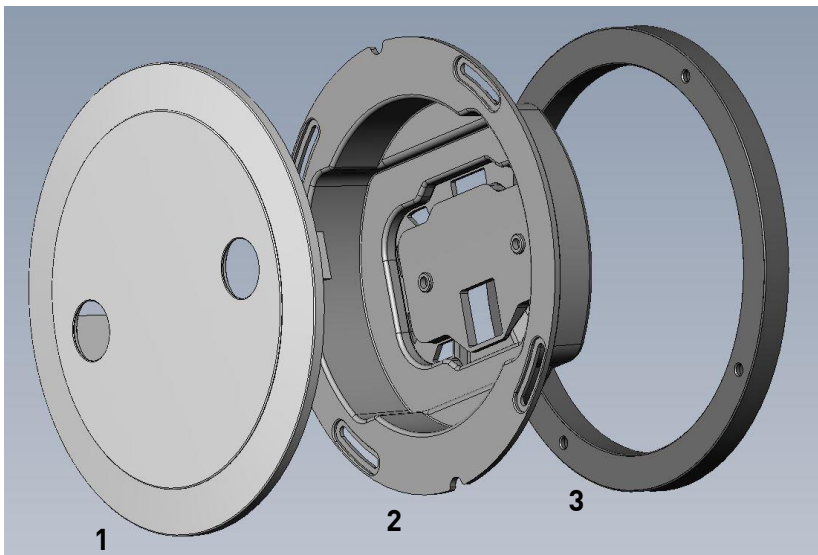
PC-3D Recess Specifications

Component description



Figure 2: PA-PC2-FM

The PC-3D flush-mounted housing kit is designed to be mounted into flush ceilings and includes the following components: Cover (1), mounting box (2) and mounting ring (3).



Mounting box

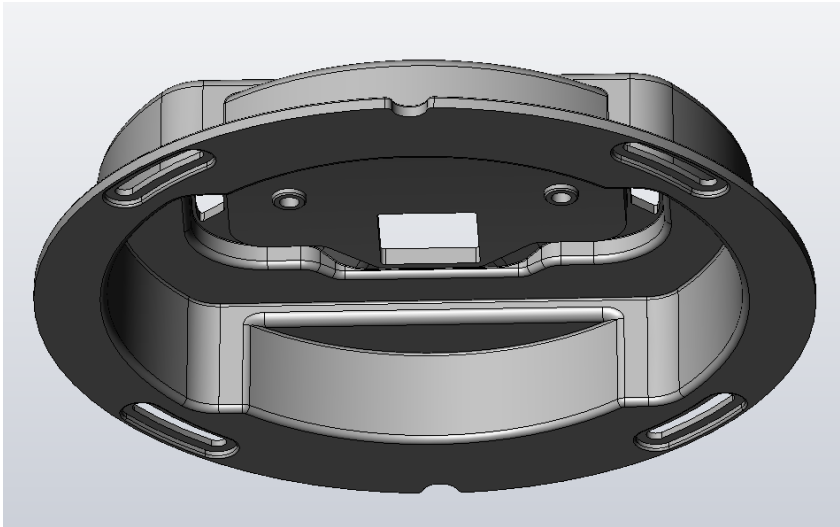


Figure 3: PC-3D mounting box

The mounting box has four rounded slots to be mounted with M4 screws and two integrated nuts for fixing the sensor.

Mounting ring

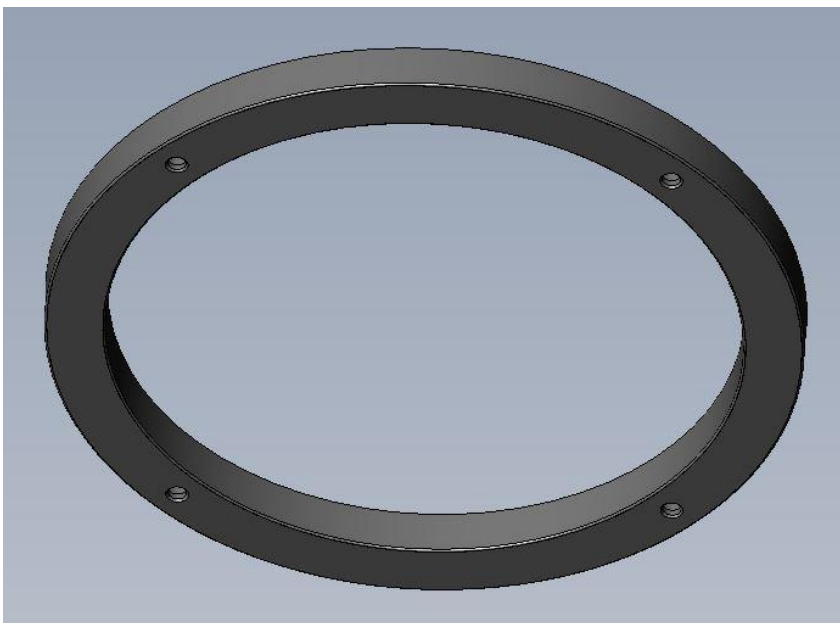


Figure 4: PC-3D mounting ring

The mounting ring has four insert nuts to be used with M4 screws for fixing the mounting box on the ceiling.

Cover

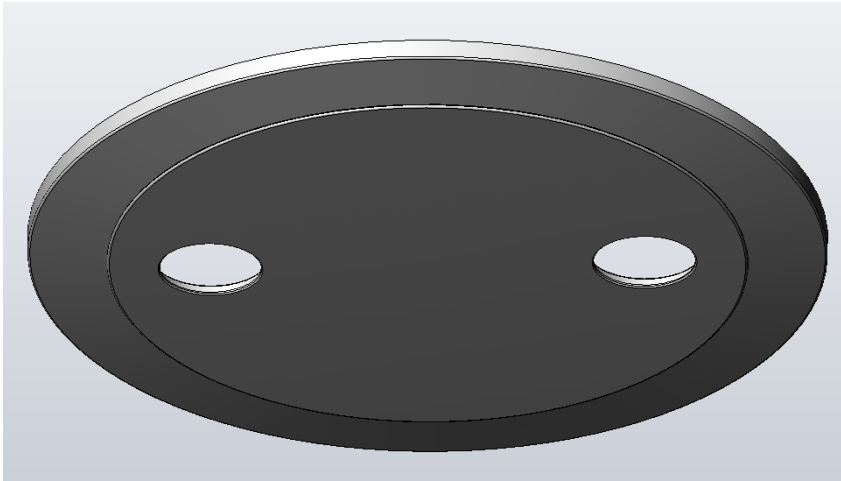


Figure 5: PC-3D cover

The cover is mounted on the sensor that is mounted in the mounting box and is held in place by two clips which are clicking on the sensor side.

Mounting material

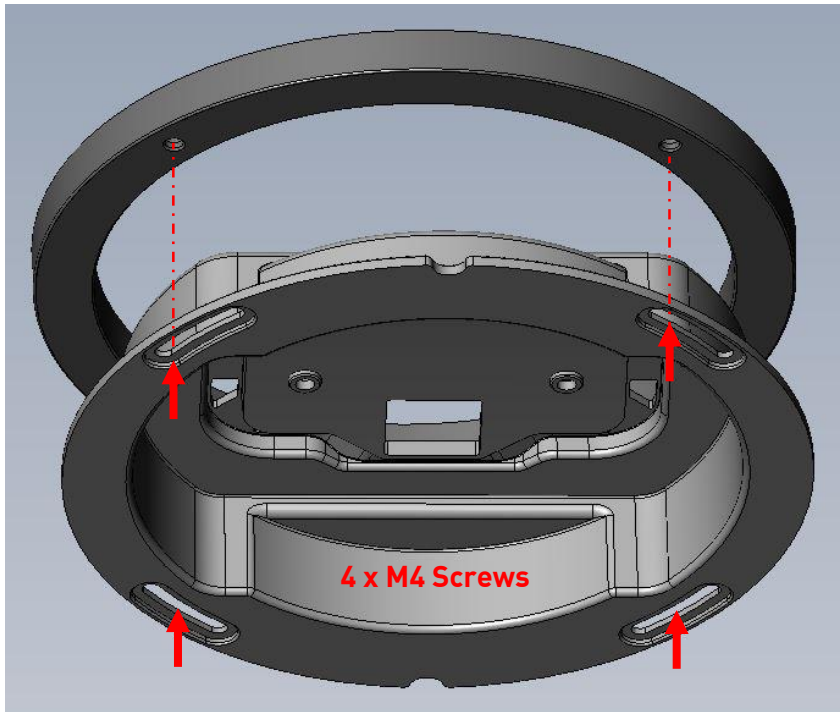
The PC-3D housing kit contains the following mounting material:

- 2 x M4 screws to fix the sensor in the box
- 1 x round mounting bracket with four M4 threads to be used for mounting box fixation into flush-ceilings

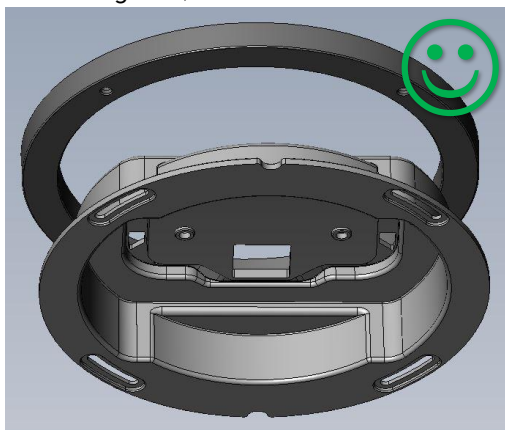
Mounting instructions

1. Mount the mounting box into the ceiling using three M4 screws and the mounting ring with four M4 threads.

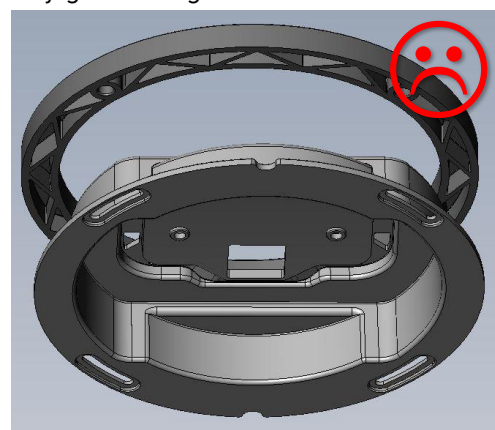
The mounting box defines the orientation of the sensor and the camera picture. Be aware of this when mounting the box.



Please note: As shown below, you have to install the ring with the flat surface to the mounting box, otherwise the inserted nuts may get damaged.

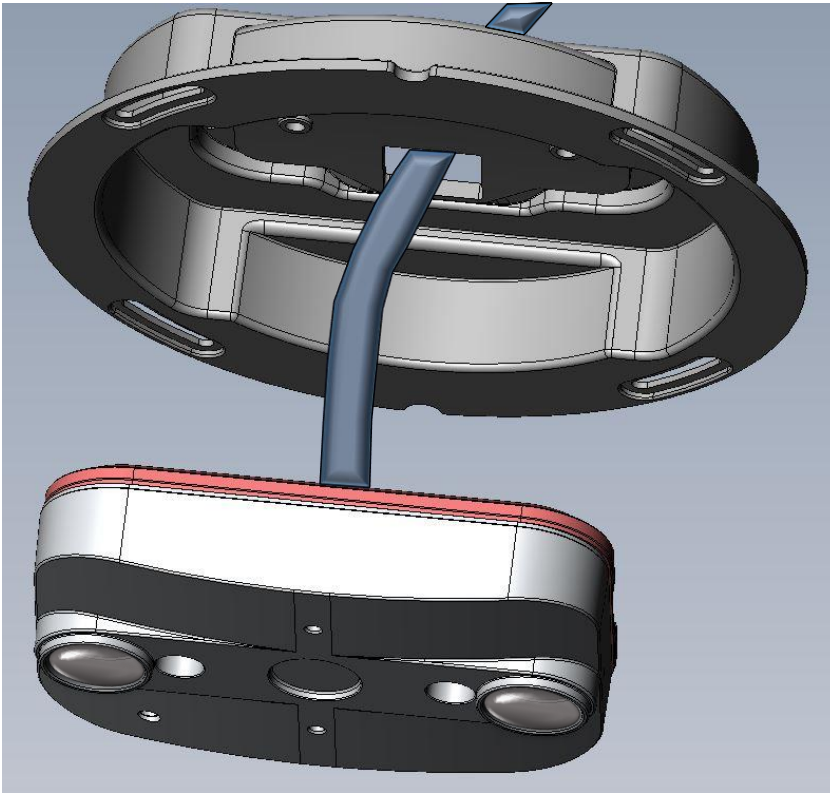


Correct mounting

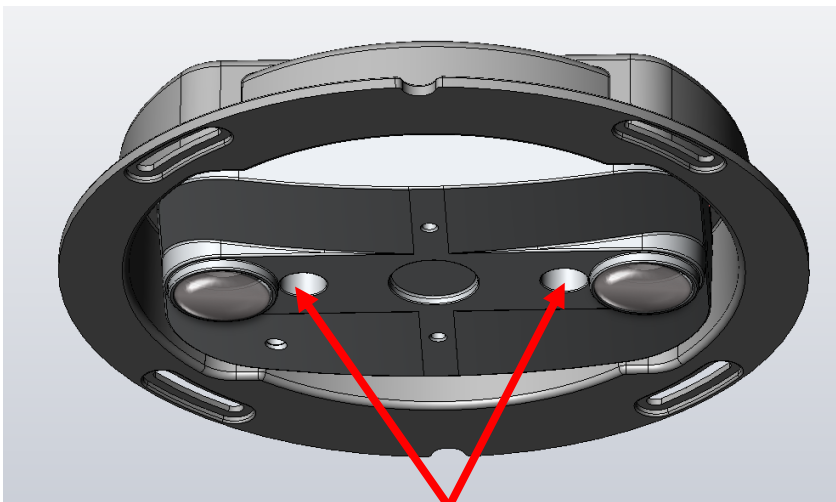


Wrong mounting

2. Pull the Ethernet cable through the hole in the back of the mounting box and plug-in the sensor.

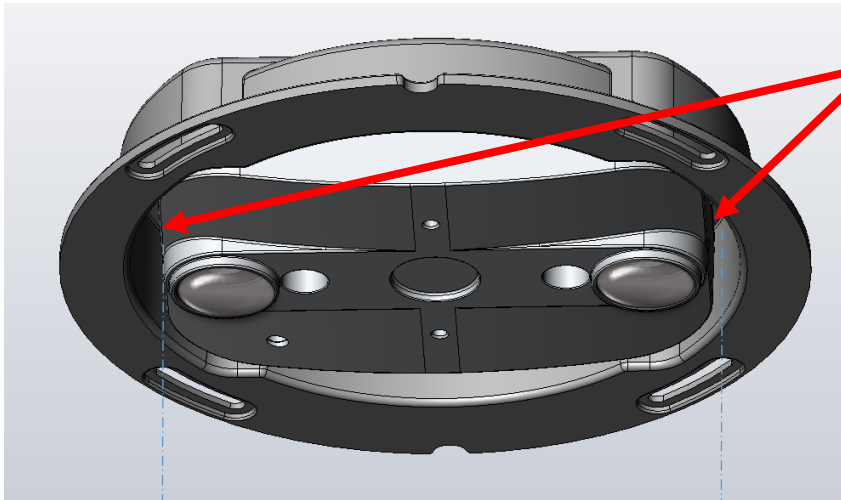


3. Fit the PC-3D sensor into the mounting box and use two M4 screws, which are delivered with the housing kit, to fix it with into the two mold insert nut.

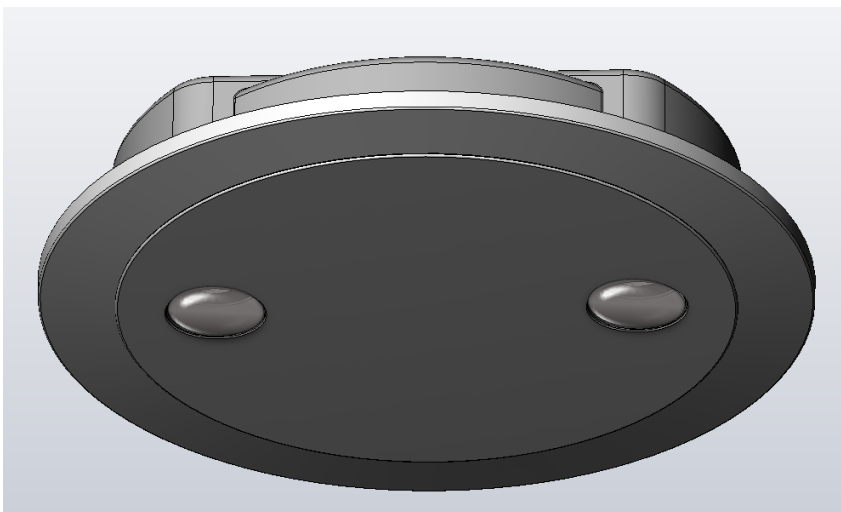
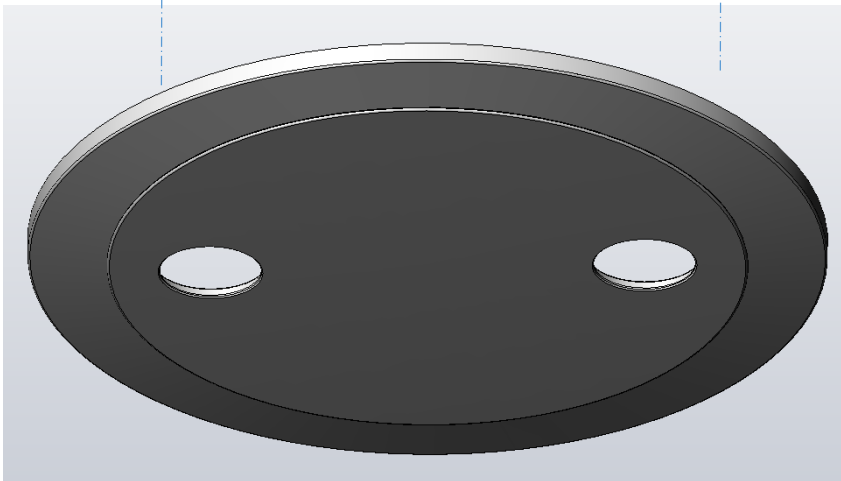


M4 screws

4. Remove Dust-Caps from Sensor Lenses. Mount the cover. It is centered by the two cover clips which are clicking on the sensor side.



**The cover clips
are clicking on
the sensor**



Mounting box footprint

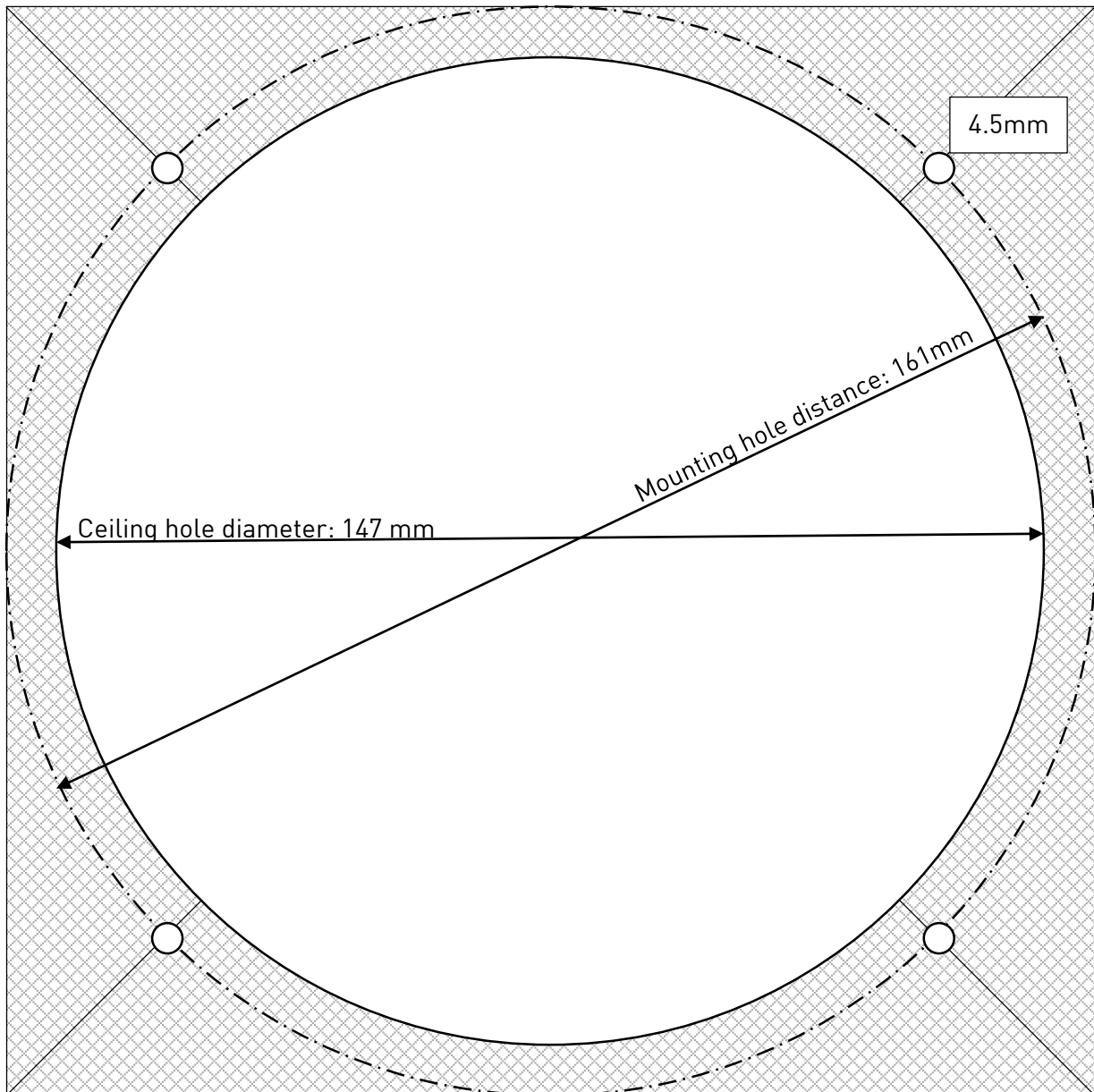


Figure 6: PC-3D mounting box footprint

- A hole of 147mm diameter has to be cut out in the ceiling.
- The position of the mounting screws is shown in the above picture. M4 screws shall be used with a length depending on ceiling thickness. They are fixed on the opposite ceiling height using the mounting bracket.
- The area covered by the cover has a diameter of 178mm.

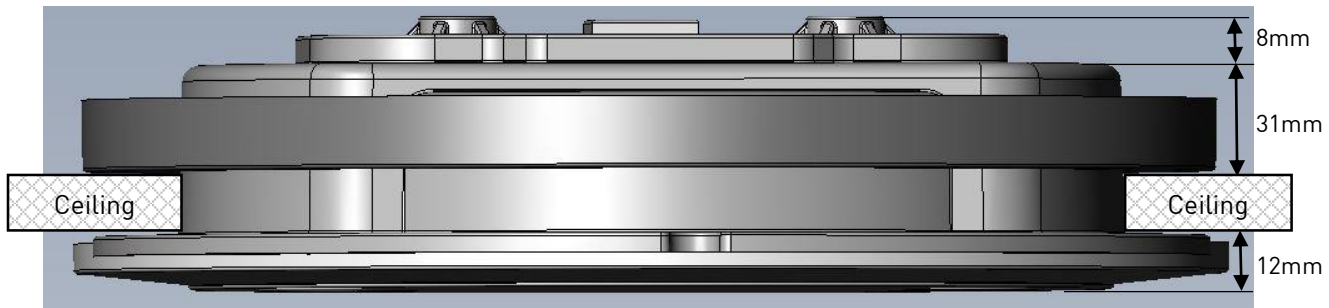


Figure 7: PC-3D side view after mounting