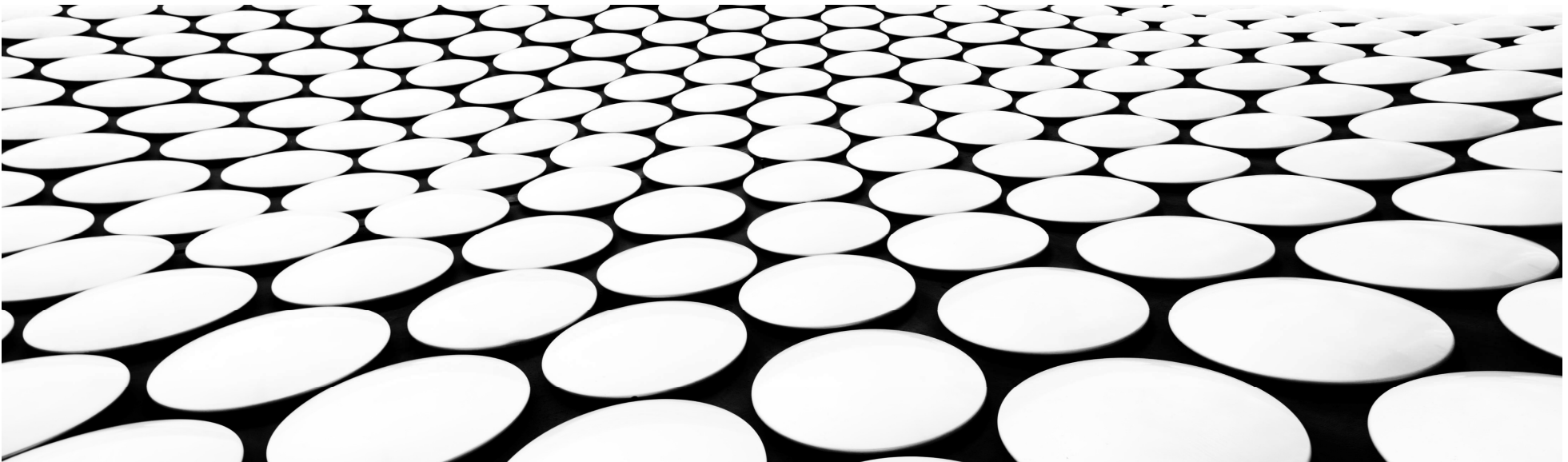
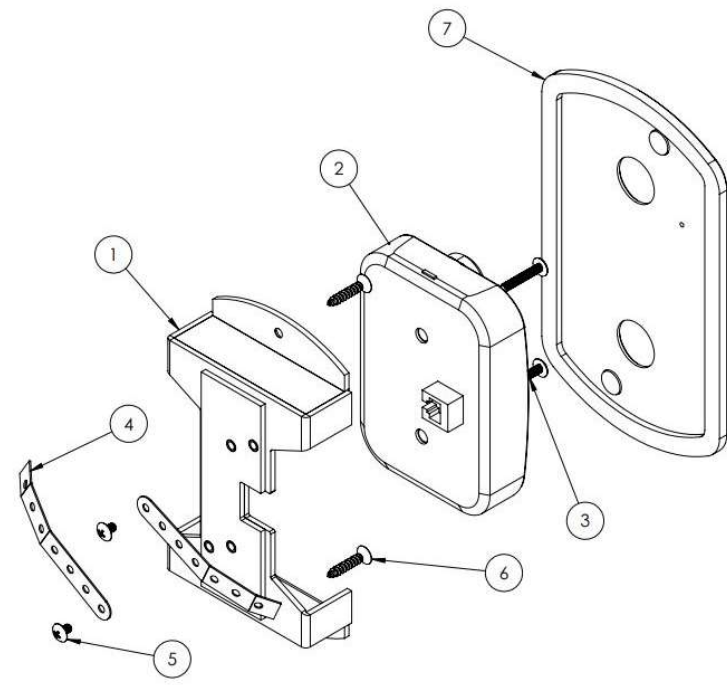
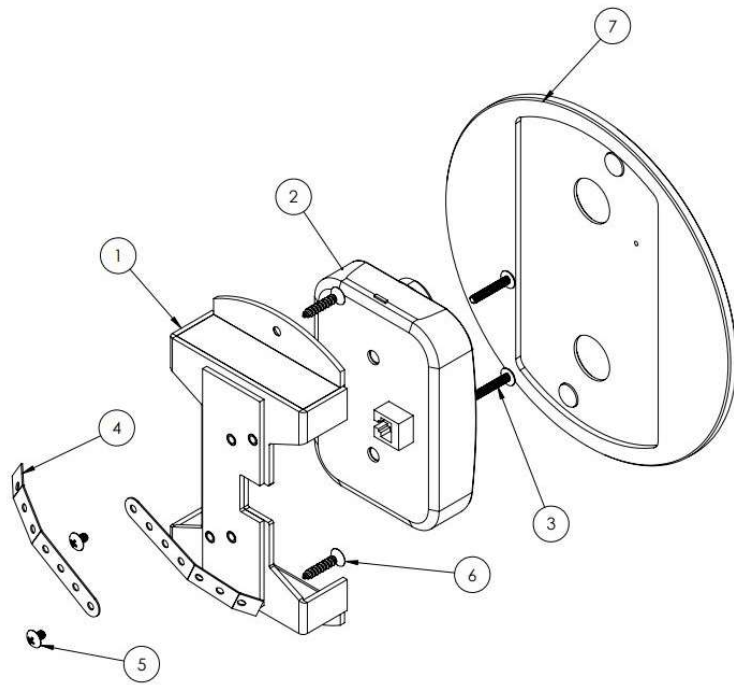

PRODCO RECESSED KIT INSTALLATION

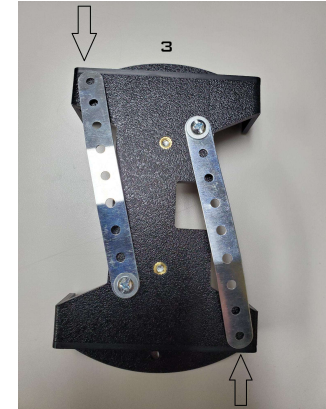
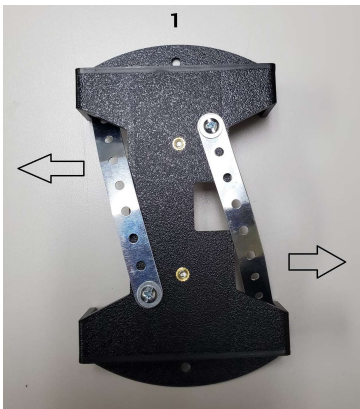
FOR XOVIS CAMERAS





COMPONENTS

- The Prodc0 Recessed Kit consists of the following
 - 1 Locking Magnetic Recessed Housing
 - 2 Xovis PC3D Camera
 - 4 Tension Arms
 - 3,5,6 Assorted Hardware for Mounting
 - 7 Magnetic Camera Cover (Available in Round or Rectangular design)

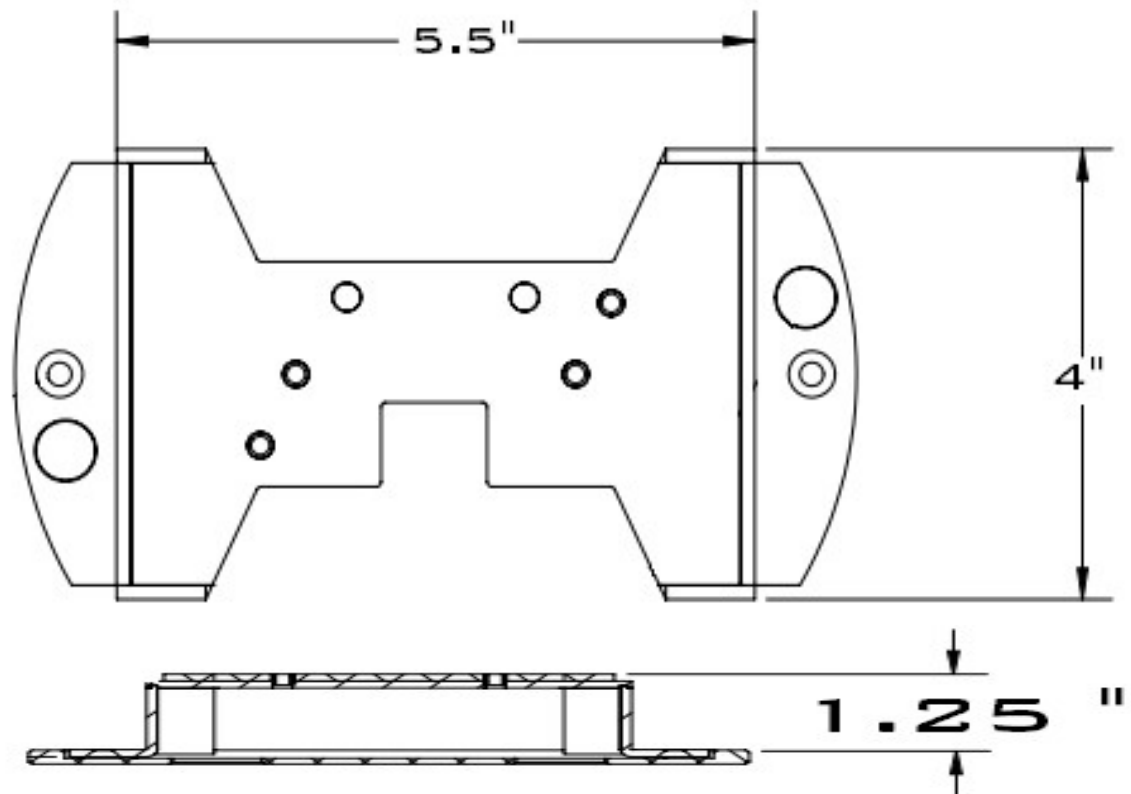


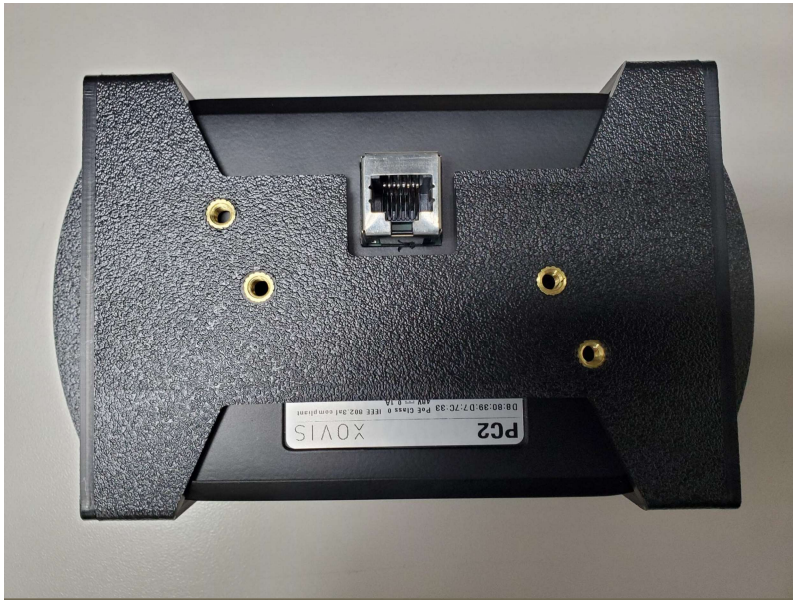
ASSEMBLY

- Your kit will arrive with Pre-Assembled but before you cut your holes you will need to set the Tension Arms of the of the recessed kit
 - 1 Press The Arms Down and Out until the arms are outside of the Housing
 - 2 Once the arms are out you will rotate them back towards the housing
 - 3 Lift up on the arms until they are sprung in place on top of the housing. You will notice the tension this creates. You must take care to not lift the arms too far above the housing. It can damage the tension arms.
 - Once this is done you are ready to cut your hole

CUTTING THE HOLE

- Once determining your placement, you will mark out the pictured dimensions with the long side of the rectangle parallel with the door
- These Measurements were given to allow a $\frac{1}{8}$ th inch of play when inserting the kit
- Before deploying the Tension Arms, you will need to mark the holes for your anchors and insert them
- Once the anchors are in place reinsert the kit and gently push the tension arms off the top of the kit until the unit holds itself in the ceiling
- Insert your drywall screws and be sure they are seated flush as to not impede with the magnetic cover





INSTALLING THE CAMERA AND COVER

- Before installing the camera you will need to pull the cable through the hole and terminate the cable to Standard B.
- Plug the cable into the back of the camera and ensure it has powered up
- You will now need to align the camera jack that protrudes out of the back with the notch that is in the kits housing
- Using the 2 screws supplied insert them in the mounting holes in the center of the camera and tighten them down
- You will now place the magnetic cover over the camera and kit being sure to line up the indicator light with the pin hole on the cover
- This will complete the physical installation of your recessed camera
- Please follow the below link for a video showing how to deploy the kit once the hole is cut
- https://www.youtube.com/watch?v=c1mXZLEdDss&list=PLrAhPHOwrz84_1D7ZlnCHk-4G-hsb4LIG&index=1